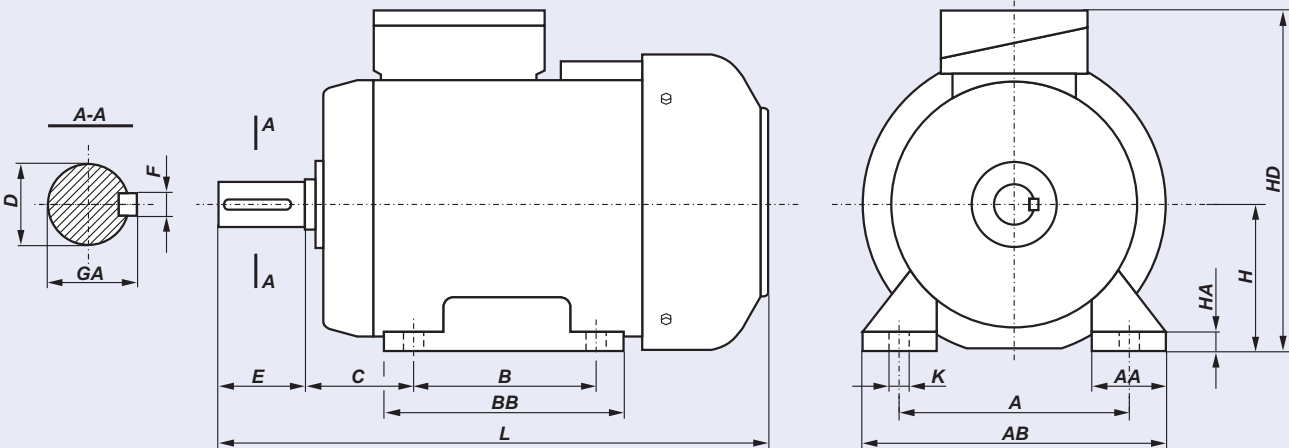


FOOT MOUNTED MOTORS - IM B3

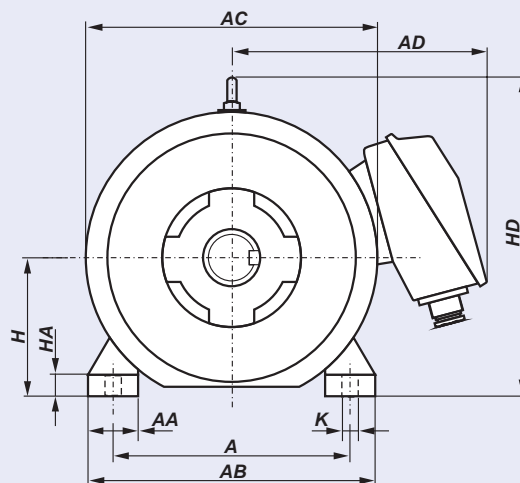
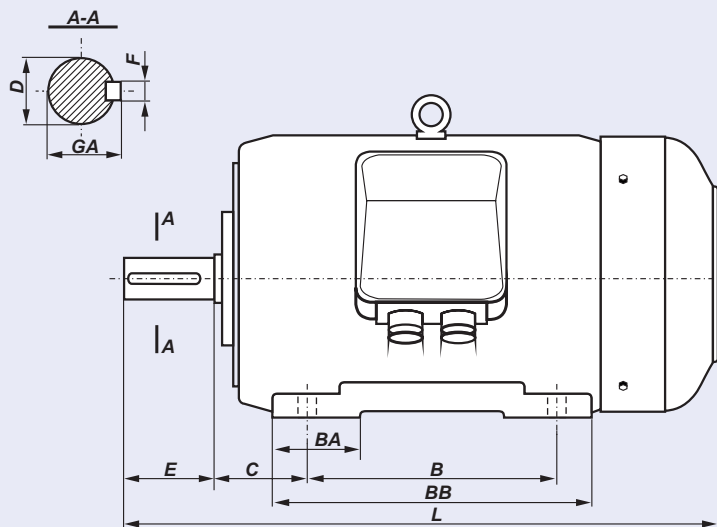


DIMENSION DRAWINGS

Motor type	A	B	C	D	E	F	GA	H	HA	K	AA	AB	BB	HD	L
Sg 56-2A	90	71	36	9j6	20	3h9	10,2	56	7	5,8	30	110	92	154	188
Sg 56-4A	90	71	36	9j6	20	3h9	10,2	56	7	5,8	30	110	92	154	149 *
Sg 56-2B	90	71	36	9j6	20	3h9	10,2	56	7	5,8	30	110	92	154	196
Sg 56-4B	90	71	36	9j6	20	3h9	10,2	56	7	5,8	30	110	92	154	157 *
Sg 56-6B	90	71	36	9j6	20	3h9	10,2	56	7	5,8	30	110	92	154	196
Sg 63-A	100	80	40	11j6	23	4h9	12,5	63	8,5	7	36	124	106	165	202
Sg 63-B	100	80	40	11j6	23	4h9	12,5	63	8,5	7	36	124	106	165	214
Sh 71-A	112	90	45	14j6	30	5h9	16,0	71	8	7	45	142	116	182	223
Sh 71-B	112	90	45	14j6	30	5h9	16,0	71	8	7	45	142	116	182	245
Sh 80-A	125	100	50	19j6	40	6h9	21,5	80	9	10	55	160	130	200	266
Sh 80-B	125	100	50	19j6	40	6h9	21,5	80	9	10	55	160	130	200	278
Sh 90S ...	140	100	56	24j6	50	8h9	27,0	90	10	10	50	170	153	220	305
Sh 90L ...	140	125	56	24j6	50	8h9	27,0	90	10	10	50	170	153	220	330
Sg 100L ...	160	140	63	28j6	60	8h9	31,0	100	14	12	45	200	172	240	376
Sg 112M ...	190	140	70	28j6	60	8h9	31,0	112	14	12	54	230	174	276	384
Sg 132S ...	216	140	89	38k6	80	10h9	41,0	132	16	12	56	278	182	310	463
Sg 132S-2B	216	140	89	38k6	80	10h9	41,0	132	16	12	56	278	220	310	501
Sg 132M ...	216	178	89	38k6	80	10h9	41,0	132	16	12	56	278	220	310	501
Sg 160M ...	254	210	108	42k6	110	12h9	45,0	160	20	15	60	305	256	370	612
Sg 160L ...	254	254	108	42k6	110	12h9	45,0	160	20	15	60	305	300	370	656
Sg 180M ...	279	241	121	48k6	110	14h9	51,5	180	26	15	70	350	320	408	705
Sg 180L ...	279	279	121	48k6	110	14h9	51,5	180	26	15	70	350	320	408	705

* - the Sg 56-4A and 4B motors in their standard version have neither fan nor fan cover

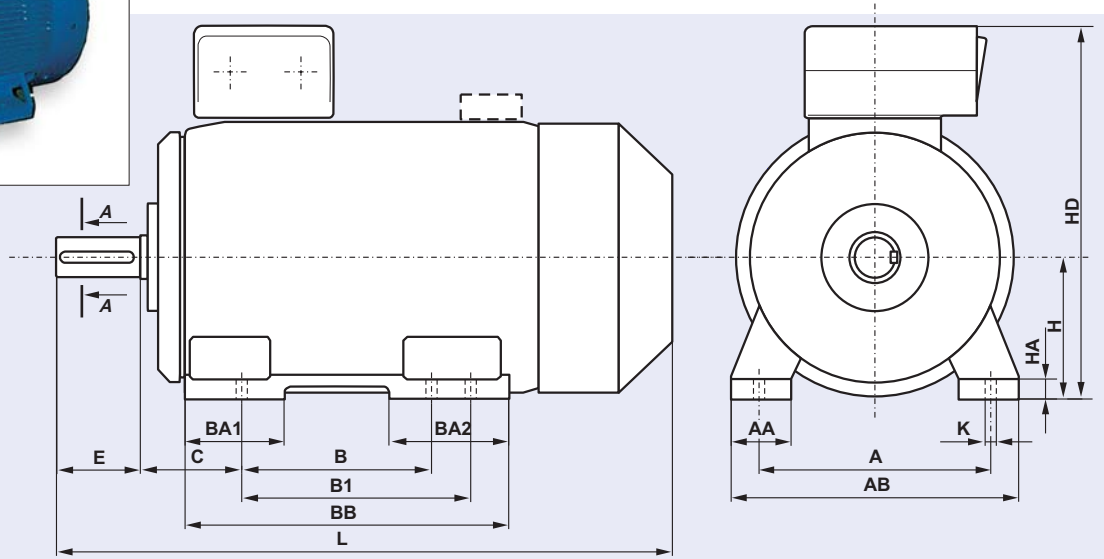
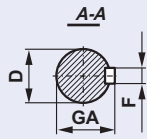
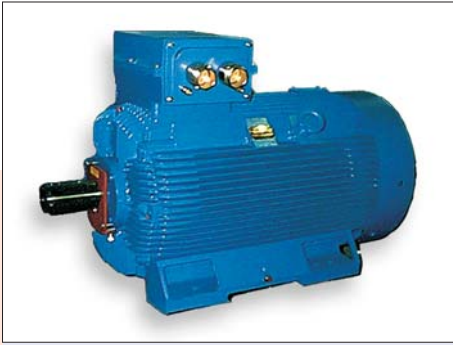
FOOT MOUNTED MOTORS - IM B3



DIMENSION DRAWINGS

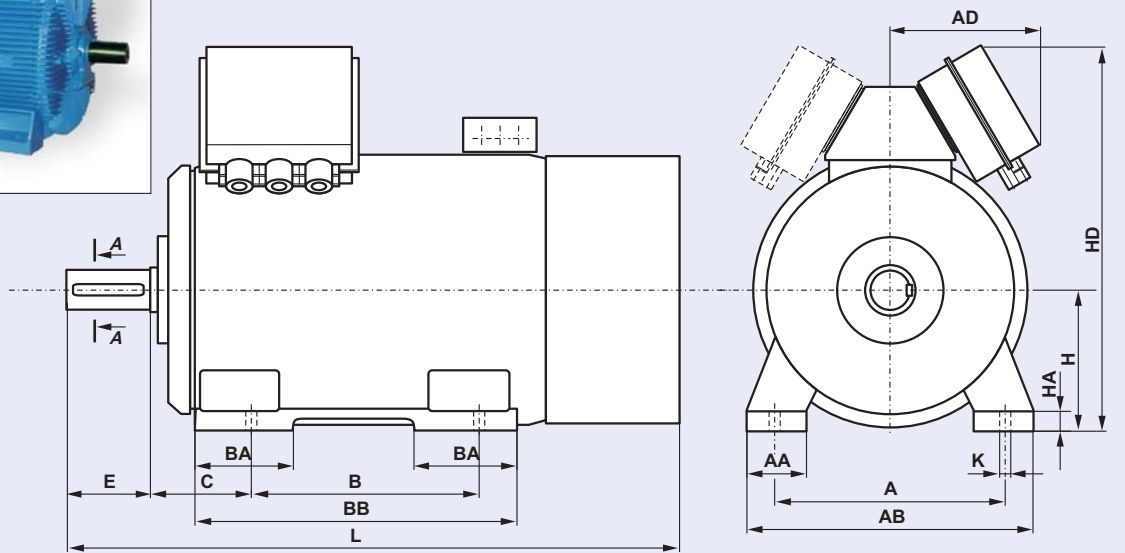
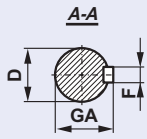
Motor type	A	B	C	D	E	F	GA	H	HA	K	AA	AB	AC	AD	BA	BB	HD	L
Sg 200 L2+12	318	305	133	55m6	110	16h9	59,0	200	32	19	80	400	450	355	100	380	485	810
Sg 225 S4+12	356	286	149	60m6	140	18h9	64,0	225	34	19	85	445	505	375	110	355	535	860
Sg 225 M2	356	311	149	55m6	110	16h9	59,0	225	34	19	85	445	505	375	110	380	535	855
Sg 225 M4+12	356	311	149	60m6	140	18h9	64,0	225	34	19	85	445	505	375	110	380	535	885
Sg 250 M2	406	349	168	60m6	140	18h9	64,0	250	36	24	90	495	540	415	120	420	590	980
Sg 250 M4+12	406	349	168	65m6	140	18h9	69,0	250	36	24	90	495	540	415	120	420	590	980
Sg 280 S2	457	368	190	65m6	140	18h9	69,0	280	40	24	100	560	620	450	165	520	660	1040
Sg 280 S4+12	457	368	190	75m6	140	20h9	79,5	280	40	24	100	560	620	450	165	520	660	1040
Sg 280 M2	457	419	190	65m6	140	18h9	69,0	280	40	24	100	560	620	450	165	520	660	1040
Sg 280 M4+12	457	419	190	75m6	140	20h9	79,5	280	40	24	100	560	620	450	165	520	660	1040
Sg 315 S2	508	406	216	65m6	140	18h9	69,0	315	46	28	105	610	620	450	190	560	695	1180
Sg 315 S4+12	508	406	216	80m6	170	22h9	85,0	315	46	28	105	610	620	450	190	560	695	1210
Sg 315 M2	508	457	216	65m6	140	18h9	69,0	315	46	28	105	610	620	450	190	560	695	1180
Sg 315 M4+12	508	457	216	80m6	170	22h9	85,0	315	46	28	105	610	620	450	190	560	695	1210
Sg 315 M6+8C	508	457	216	80m6	170	22h9	85,5	315	45	28	130	640	694	585	150	550	750	1240
Sg 355 S2	610	500	254	80m6	170	22h9	85,0	355	50	28	158	720	764	620	170	600	848	1354
Sg 355 S4+12	610	500	254	100m6	210	28h9	106,0	355	50	28	158	720	764	620	170	600	848	1394
Sg 355 M10+12	610	560	254	100m6	210	28h9	106,0	355	50	28	158	720	764	620	205	730	848	1454

FOOT MOUNTED MOTORS - IM B3



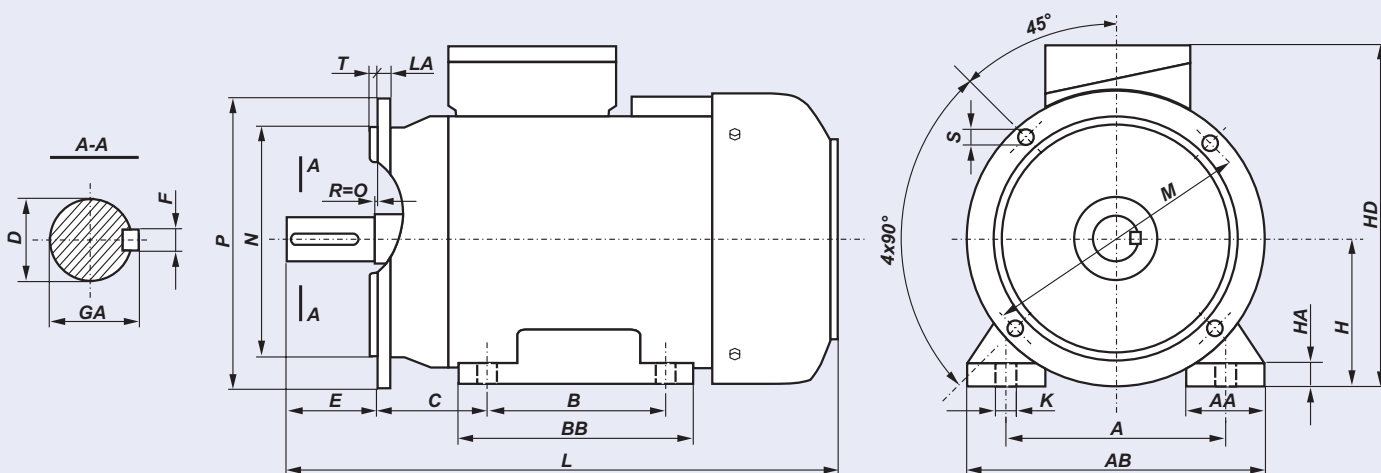
Type	Poles	A	B	B1	C	D	E	F	GA	H	HA	K	AA	AB	BA1	BA2	BB	HD	L
SEE 315M..	2	508	457	-	216	65	140	18	69	315	46	28	120	610	117	168	550	805	1225
SEE 315M..	4÷8	508	457	-	216	80	170	22	85	315	46	28	120	610	117	168	550	805	1255
SEE 355...	2	610	560	630	254	80	170	22	85	355	50	28	150	720	250	300	890	935	1580
SEE 355...	4÷8	610	560	630	254	100	210	28	106	355	50	28	150	720	250	300	890	935	1620
Sh 355...s	2	610	900	-	200	70	140	20	75	355	45	28	160	730	265	265	1045	995	1800
Sh 355...s	4÷8	610	900	-	200	100	210	28	106	355	45	28	160	730	265	265	1045	995	1870

DIMENSION DRAWINGS



Type	Poles	A	B	C	D	E	F	GA	H	HA	K	AA	AB	AD	BA	BB	HD	L
Sh 400...s	2	686	1000	224	80	170	22	85	400	50	35	175	840	520	265	1160	1255	1975
Sh 400...s	4÷8	686	1000	224	110	210	28	116	400	50	35	175	840	520	265	1160	1255	1960
Sh 450...s	4÷10	750	1120	254	110	210	28	116	450	60	35	205	940	560	340	1320	1356	2105
Sh 500...s	4÷10	850	1250	280	120	210	32	127	500	70	42	223	1050	560	300	1450	1470	2430

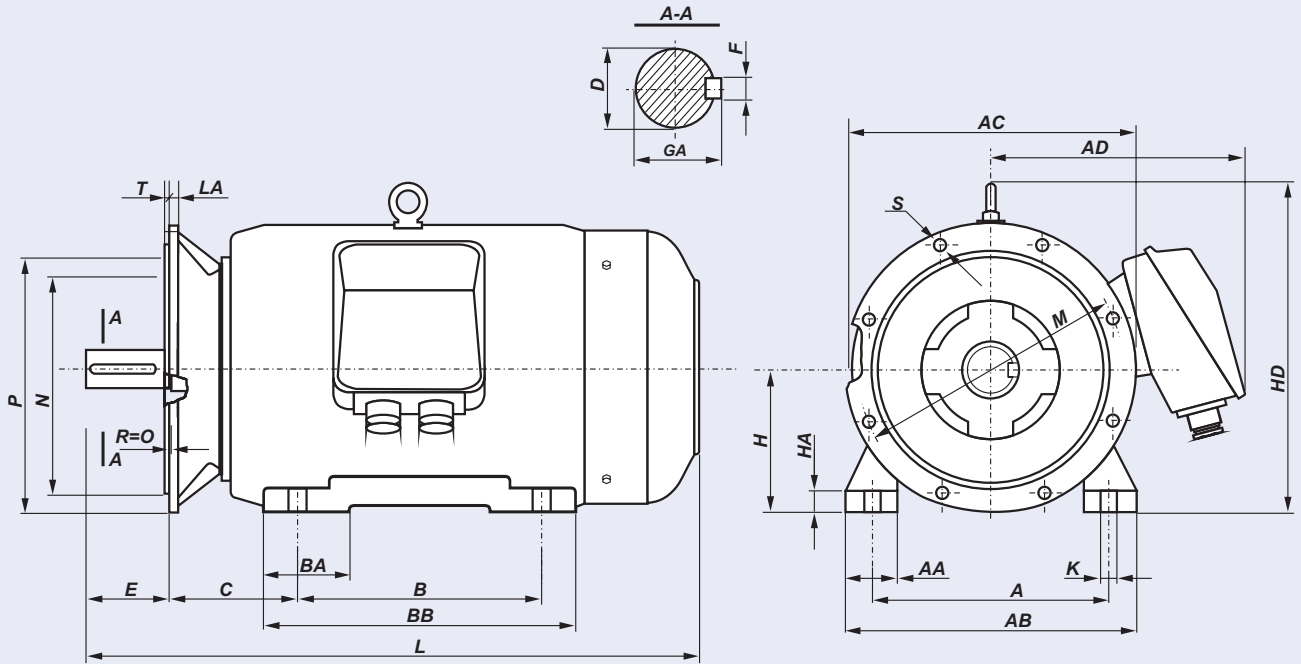
FOOT/FLANGE MOUNTED MOTORS - IM B35



DIMENSION DRAWINGS

Motor type	A	B	C	D	E	F	GA	H	HA	K	AA	AB	BB	HD	L	LA	M	N	P	T	S
SLg 56-2A	90	71	36	9j6	20	3h9	10,2	56	7,0	8,0	30	110	92	154	188	8	100	80j6	120	3,0	7
SLg 56-4A	90	71	36	9j6	20	3h9	10,2	56	7,0	8,0	30	110	92	154	149	8	100	80j6	120	3,0	7
SLg 56-2B	90	71	36	9j6	20	3h9	10,2	56	7,0	8,0	30	110	92	154	196	8	100	80j6	120	3,0	7
SLg 56-4B	90	71	36	9j6	20	3h9	10,2	56	7,0	8,0	30	110	92	154	157	8	100	80j6	120	3,0	7
SLg 56-6B	90	71	36	9j6	20	3h9	10,2	56	7,0	8,0	30	110	92	154	196	8	100	80j6	120	3,0	7
SLg 63- A	100	80	40	11j6	23	4h9	12,5	63	8,5	10,0	36	124	106	165	202	9	115	95j6	140	3,0	10
SLg 63- B	100	80	40	11j6	23	4h9	12,5	63	8,5	10,0	36	124	106	165	214	9	115	95j6	140	3,0	10
SLh 71- A	112	90	45	14j6	30	5h9	16,0	71	8,0	10,0	45	142	116	182	223	9	130	110j6	160	3,5	10
SLh 71- B	112	90	45	14j6	30	5h9	16,0	71	8,0	10,0	45	142	116	182	245	9	130	110j6	160	3,5	10
SLh 80- A	125	100	50	19j6	40	6h9	21,5	80	9,0	10,0	55	160	130	200	266	10	165	130j6	200	3,5	12
SLh 80- B	125	100	50	19j6	40	6h9	21,5	80	9,0	10,0	55	160	130	200	278	10	165	130j6	200	3,5	12
SLh 90S ...	140	100	56	24j6	50	8h9	27,0	90	10,0	10,0	50	170	153	220	305	8	165	130j6	200	3,5	12
SLh 90L ...	140	125	56	24j6	50	8h9	27,0	90	10,0	10,0	50	170	153	220	330	8	165	130j6	200	3,5	12
SLg 100L ...	160	140	63	28j6	60	8h9	31,0	100	14,0	12,0	45	200	172	240	376	11	215	180j6	250	4,0	15
SLg 112M ...	190	140	70	28j6	60	8h9	31,0	112	14,0	12,0	54	230	174	276	384	12	215	180j6	250	4,0	15
SLg 132S ...	216	140	89	38k6	80	10h9	41,0	132	16,0	12,0	56	278	182	310	463	12	265	230j6	300	4,0	15
SLg 132S-2B	216	140	89	38k6	80	10h9	41,0	132	16,0	12,0	56	278	220	310	501	12	265	230j6	300	4,0	15
SLg 132M ...	216	178	89	38k6	80	10h9	41,0	132	16,0	12,0	56	278	220	310	501	12	265	230j6	300	4,0	15
SLg 160M ...	254	210	108	42k6	110	12h9	45,0	160	20,0	15,0	60	305	256	370	612	13	300	250j6	350	5,0	19
SLg 160L ...	254	254	108	42k6	110	12h9	45,0	160	20,0	15,0	60	305	300	370	656	13	300	250j6	350	5,0	19
SLg 180M ...	279	241	121	48k6	110	14h9	51,5	180	26,0	15,0	70	350	320	408	705	13	300	250j6	350	5,0	19
SLg 180L ...	279	279	121	48k6	110	14h9	51,5	180	26,0	15,0	70	350	320	408	705	13	300	250j6	350	5,0	19

FOOT/FLANGE MOUNTED MOTORS - IM B35

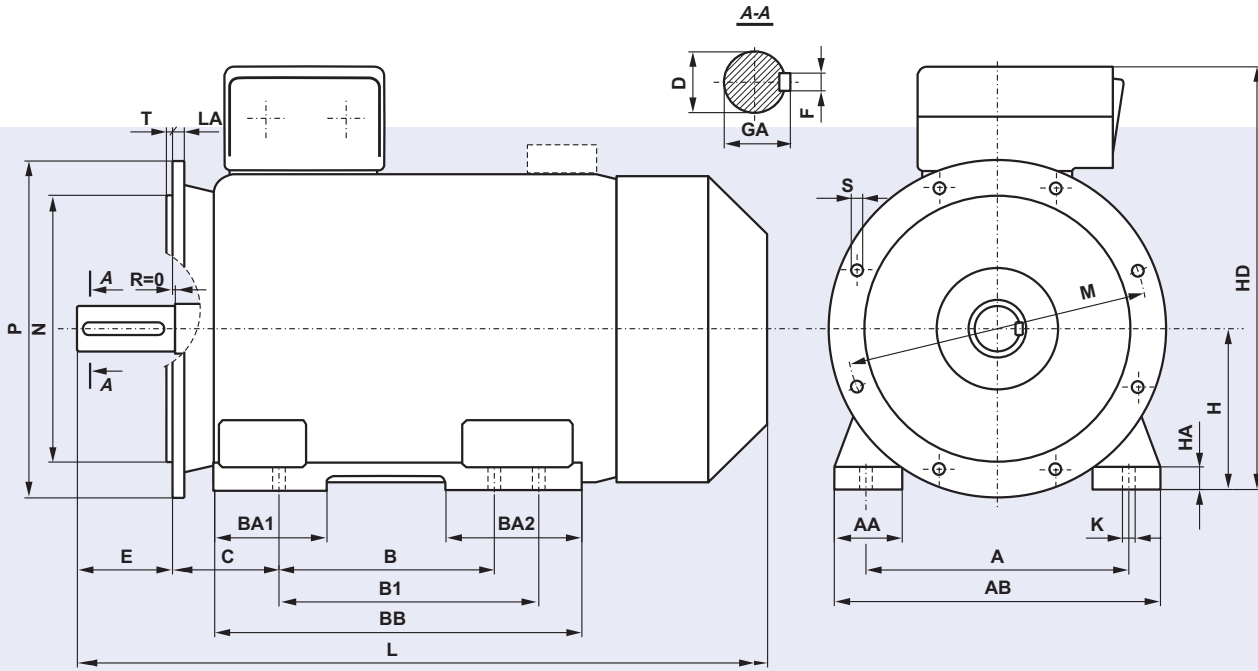


DIMENSION DRAWINGS

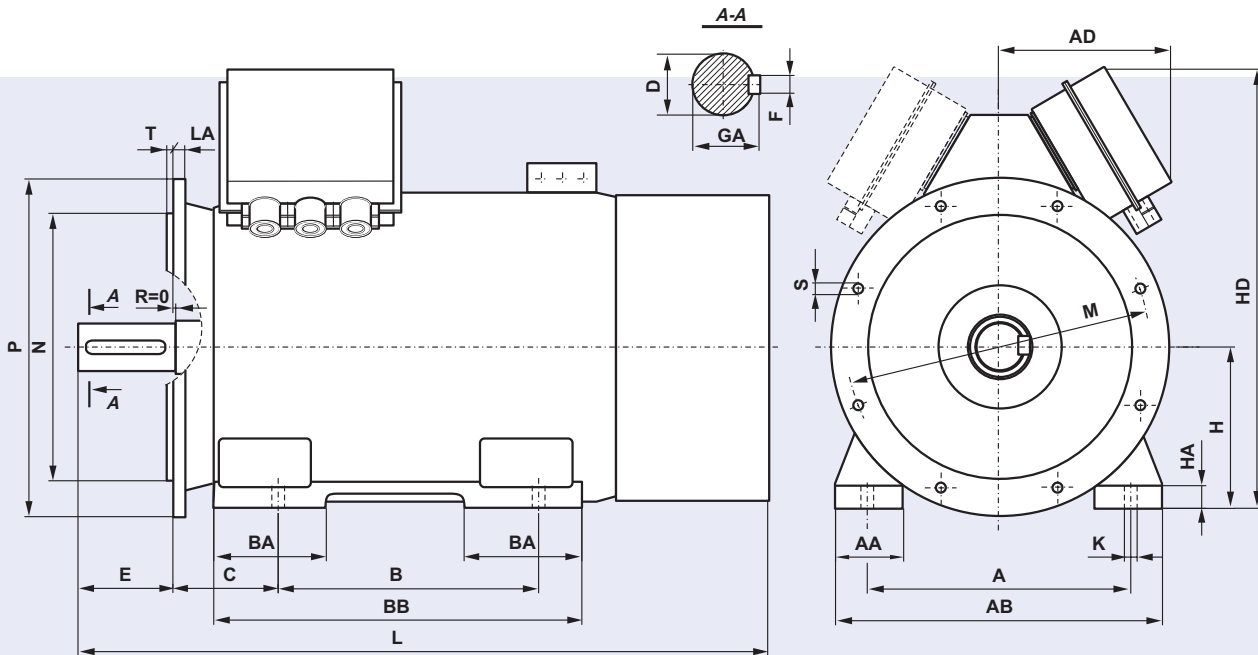
Motor type	A	B	C	D	E	F	GA	H	HA	K	AA	AB	AC	AD	BA	BB	HD	L	LA	M	N	P	T	S	φ holes
SLg 200 L2+12	318	305	133	55m6	110	16h9	59	200	32	19	80	400	450	355	100	380	485	810	16,5	350	300	400	5	18	4
SLg 225 S4+12	356	286	149	60m6	140	18h9	64	225	34	19	85	445	505	375	110	355	535	860	18	400	350	450	5	18	8
SLg 225 M2	356	311	149	55m6	110	16h9	59	225	34	19	85	445	505	375	110	380	535	855	18	400	350	450	5	18	8
SLg 225 M4+12	356	311	149	60m6	140	18h9	64	225	34	19	85	445	505	375	110	380	535	885	18	400	350	450	5	18	8
SLg 250 M2	406	349	168	60m6	140	18h9	64	250	36	24	90	495	540	415	120	420	590	980	19	500	450	550	5	18	8
SLg 250 M4+12	406	349	168	65m6	140	18h9	69	250	36	24	90	495	540	415	120	420	590	980	19	500	450	550	5	18	8
SLg 280 S2	457	368	190	65m6	140	18h9	69	280	40	24	100	560	620	450	165	520	660	1040	20	500	450	550	5	18	8
SLg 280 S4+12	457	368	190	75m6	140	20h9	79,5	280	40	24	100	560	620	450	165	520	660	1040	20	500	450	550	5	18	8
SLg 280 M2	457	419	190	65m6	140	18h9	69	280	40	24	100	560	620	450	165	520	660	1040	20	500	450	550	5	18	8
SLg 280 M4+12	457	419	190	75m6	140	20h9	79,5	280	40	24	100	560	620	450	165	520	660	1040	20	500	450	550	5	18	8
SLg 315 S2	508	406	216	65m6	140	18h9	69	315	46	28	105	610	620	450	190	560	695	1180	22	600	550	660	6	22	8
SLg 315 S4+12	508	406	216	80m6	170	22h9	85	315	46	28	105	610	620	450	190	560	695	1210	22	600	550	660	6	22	8
SLg 315 M2	508	457	216	65m6	140	18h9	69	315	46	28	105	610	620	450	190	560	695	1180	22	600	550	660	6	22	8
SLg 315 M4+12	508	457	216	80m6	170	22h9	85	315	46	28	105	610	620	450	190	560	695	1210	22	600	550	660	6	22	8
SLg 355 S2	610	500	254	80m6	170	22h9	85,0	355	50	28	158	720	764	620	170	600	848	1354	24	740	680	800	6	24	8
SLg 355 S4+12	610	500	254	100m6	210	28h9	106	355	50	28	158	720	764	620	170	600	848	1394	24	740	680	800	6	24	8
SLg 355 M10+12	610	560	254	100m6	210	28h9	106	355	50	28	158	720	764	620	205	730	848	1454	24	740	680	800	6	24	8

the motors from SLg200L to SLg 315 are also available in mounting arrangements: IM B65, IM B75 i IM B85

FOOT/FLANGE MOUNTED MOTORS - IM B35



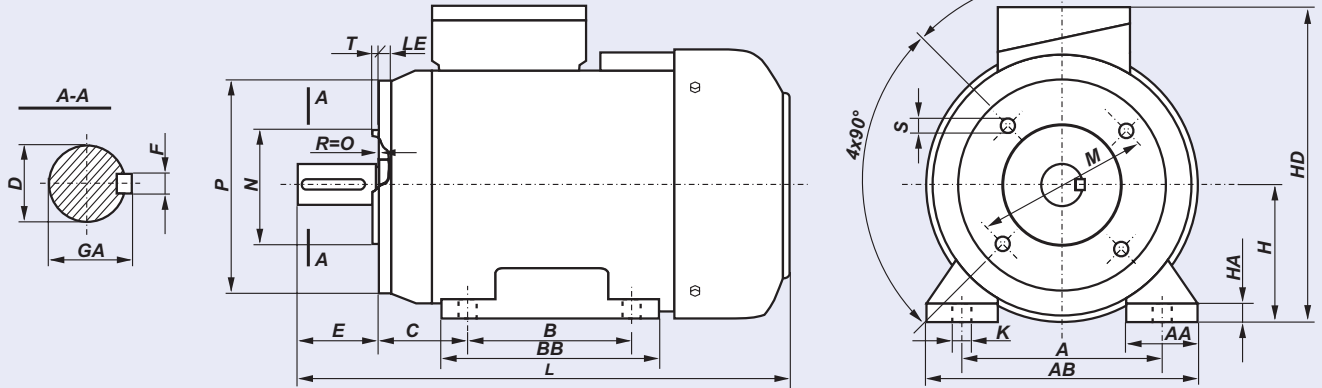
Type	Poles	A	B	B1	C	D	E	F	GA	H	HA	K	AA	AB	BA1	BA2	BB	HD	L	LA	M	N	P	S	T
SLEE 315M...	2	508	457	-	216	65	140	18	69	315	46	28	120	610	117	168	550	805	1225	22	600	550	660	24	6
SLEE 315M...	4+8	508	457	-	216	80	170	22	85	315	46	28	120	610	117	168	550	805	1255	22	600	550	660	24	6
SLEE 355....	2	610	560	630	254	80	170	22	85	355	50	28	150	720	250	300	890	935	1580	24	740	680	800	22	6
SLEE 355....	4+8	610	560	630	254	100	210	28	106	355	50	28	150	720	250	300	890	935	1620	24	740	680	800	22	6
SLh 355...s	2	610	900	-	254	70	140	20	74,5	355	45	28	160	730	265	265	1045	995	1854	24	740	680	800	22	6
SLh 355...s	4+8	610	900	-	254	100	210	28	106	355	45	28	160	730	265	265	1045	995	1924	24	740	680	800	22	6



Type	Poles	A	B	C	D	E	F	GA	H	HA	K	AA	AB	AD	BA	BB	HD	L	LA	M	N	P	S	T
SLh 400...s	2	686	1000	280	80	170	22	85	400	50	35	175	840	520	265	1160	1255	2031	30	940	880	1000	25	6
SLh 400...s	4+8	686	1000	280	110	210	28	116	400	50	35	175	840	520	265	1160	1255	2016	30	940	880	1000	25	6
SLh 450...s	4+10	750	1120	315	110	210	28	116	450	60	35	205	940	560	340	1320	1356	2175	30	1080	1000	1150	28	6
SLh 500...s	4+10	850	1250	355	120	210	32	127	500	70	42	223	1050	560	300	1450	1470	2505	30	1080	1000	1150	28	6

DIMENSION DRAWINGS

FOOT/FLANGE MOUNTED MOTORS - IM B34

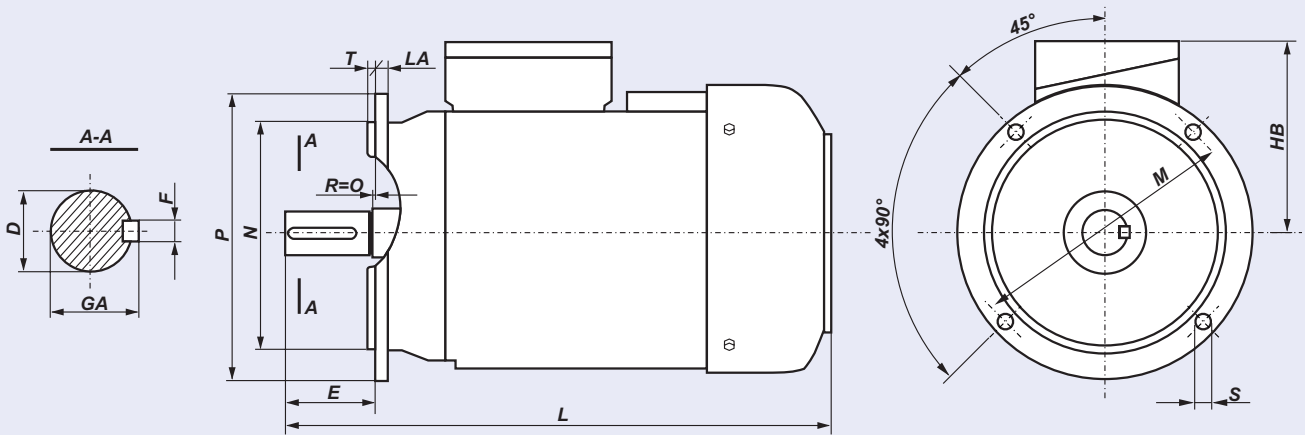


DIMENSION DRAWINGS

Motor type	Flange	A	AA	B	C	D	E	F	GA	H	HA	K	M	N	P	S	LE	T	HD	L
SLg 56-2A1	B14/C1	90	30	71	36	9j6	20	3h9	10,2	56	7	8,0	85	70j6	105	M6	15,0	2,5	154	188
SLg 56-2A2	B14/C2	90	30	71	36	9j6	20	3h9	10,2	56	7	8,0	65	50j6	80	M5	12,5	2,5	154	188
SLg 56-4A1	B14/C1	90	30	71	36	9j6	20	3h9	10,2	56	7	8,0	85	70j6	105	M6	15,0	2,5	154	149*
SLg 56-4A2	B14/C2	90	30	71	36	9j6	20	3h9	10,2	56	7	8,0	65	50j6	80	M5	12,5	2,5	154	149*
SLg 56-2B1	B14/C1	90	30	71	36	9j6	20	3h9	10,2	56	7	8,0	85	70j6	105	M6	15,0	2,5	154	196
SLg 56-2B2	B14/C2	90	30	71	36	9j6	20	3h9	10,2	56	7	8,0	65	50j6	80	M5	12,5	2,5	154	196
SLg 56-4B1	B14/C1	90	30	71	36	9j6	20	3h9	10,2	56	7	8,0	85	70j6	105	M6	15,0	2,5	154	157*
SLg 56-4B2	B14/C2	90	30	71	36	9j6	20	3h9	10,2	56	7	8,0	65	50j6	80	M5	12,5	2,5	154	157*
SLg 56-6B1	B14/C1	90	30	71	36	9j6	20	3h9	10,2	56	7	8,0	85	70j6	105	M6	15,0	2,5	154	196
SLg 56-6B2	B14/C2	90	30	71	36	9j6	20	3h9	10,2	56	7	8,0	65	50j6	80	M5	12,5	2,5	154	196
SLg 63- .A1	B14/C1	100	36	80	40	11j6	23	4h9	12,5	63	8,5	10,0	100	80j6	120	M6	14,0	3,0	165	202
SLg 63- .A2	B14/C2	100	36	80	40	11j6	23	4h9	12,5	63	8,5	10,0	75	60j6	90	M5	9,5	2,5	165	202
SLg 63- .B1	B14/C1	100	36	80	40	11j6	23	4h9	12,5	63	8,5	10,0	100	80j6	120	M6	14,0	3,0	165	214
SLg 63- .B2	B14/C2	100	36	80	40	11j6	23	4h9	12,5	63	8,5	10,0	75	60j6	90	M5	9,5	2,5	165	214
SLh 71- .A1	B14/C1	112	45	90	45	14j6	30	5h9	16,0	71	8	10,0	115	95j6	140	M8	14,0	3,0	182	223
SLh 71- .A2	B14/C2	112	45	90	45	14j6	30	5h9	16,0	71	8	10,0	85	70j6	105	M6	12,0	2,5	182	223
SLh 71- .B1	B14/C1	112	45	90	45	14j6	30	5h9	16,0	71	8	10,0	115	95j6	140	M8	14,0	3,0	182	245
SLh 71- .B2	B14/C2	112	45	90	45	14j6	30	5h9	16,0	71	8	10,0	85	70j6	105	M6	12,0	2,5	182	245
SLh 80- .A1	B14/C1	125	55	100	50	19j6	40	6h9	21,5	80	9	10,0	130	110j6	160	M8	14,0	3,5	200	266
SLh 80- .A2	B14/C2	125	55	100	50	19j6	40	6h9	21,5	80	9	10,0	100	80j6	120	M6	12,0	3,0	200	266
SLh 80- .B1	B14/C1	125	55	100	50	19j6	40	6h9	21,5	80	9	10,0	130	110j6	160	M8	14,0	3,5	200	278
SLh 80- .B2	B14/C2	125	55	100	50	19j6	40	6h9	21,5	80	9	10,0	100	80j6	120	M6	12,0	3,0	200	278
SLh 90S ...	B14/C1	140	50	100	56	24j6	50	8h9	27,0	90	10	10,0	130	110j6	160	M8	10,0	3,5	220	305
SLh 90L ...	B14/C2	140	50	100	56	24j6	50	8h9	27,0	90	10	10,0	115	95j6	140	M8	10,0	3,0	220	305
SLh 90L ...	B14/C1	140	50	125	56	24j6	50	8h9	27,0	90	10	10,0	130	110j6	160	M8	10,0	3,5	220	330
SLh 90L ...	B14/C2	140	50	125	56	24j6	50	8h9	27,0	90	10	10,0	115	95j6	140	M8	10,0	3,0	220	330
SLg 100L ...	B14/C1	160	45	140	63	28j6	60	8h9	31,0	100	14	12,0	165	130j6	200	M10	12,0	3,5	240	376
SLg 100L ...	B14/C2	160	45	140	63	28j6	60	8h9	31,0	100	14	12,0	130	110j6	160	M8	12,0	3,5	240	376
SLg 112M ...	B14/C1	190	54	140	70	28j6	60	8h9	31,0	112	14	12,0	165	130j6	200	M10	12,0	3,5	276	384
SLg 112M ...	B14/C2	190	54	140	70	28j6	60	8h9	31,0	112	14	12,0	130	110j6	160	M8	12,0	3,5	276	384
SLg 132S ...	B14/C1	216	56	140	89	38k6	80	10h9	41,0	132	16	12,0	215	180j6	250	M12	12,0	4,0	310	463
SLg 132S ...	B14/C2	216	56	140	89	38k6	80	10h9	41,0	132	16	12,0	165	130j6	200	M12	12,0	3,5	310	463
SLg 132S-2B	B14/C1	216	56	140	89	38k6	80	10h9	41,0	132	16	12,0	215	180j6	250	M12	12,0	4,0	310	501
SLg 132S-2B	B14/C2	216	56	140	89	38k6	80	10h9	41,0	132	16	12,0	165	130j6	200	M12	12,0	3,5	310	501
SLg 132M...	B14/C1	216	56	140	89	38k6	80	10h9	41,0	132	16	12,0	215	180j6	250	M12	12,0	4,0	310	501
SLg 132M...	B14/C2	216	56	140	89	38k6	80	10h9	41,0	132	16	12,0	165	130j6	200	M12	12,0	3,5	310	501

* - the SKg 56-4A and 4B motors in their standard version have neither fan nor fan cover

FLANGE MOUNTED MOTORS - IM B5

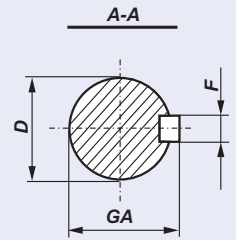
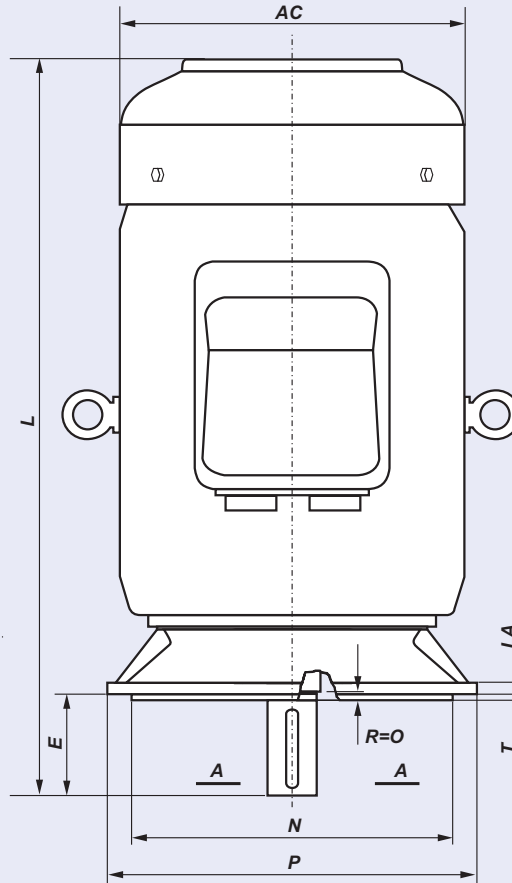
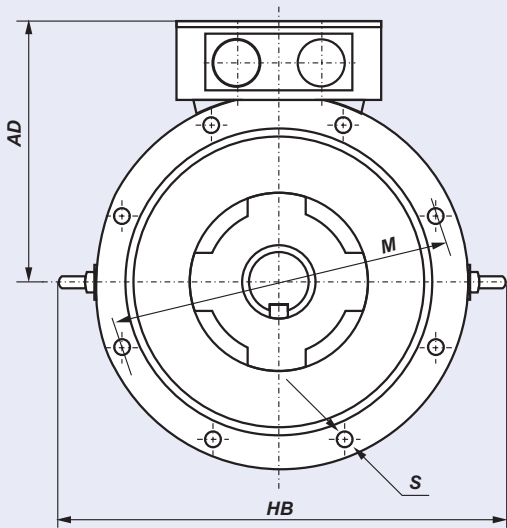


DIMENSION DRAWINGS

Type	D	E	F	GA	M	N	P	LA	T	S	HB	L
SKg 56-2A	9j6	20	3h9	10,2	100	80j6	120	8	3	7	98	188
SKg 56-4A	9j6	20	3h9	10,2	100	80j6	120	8	3	7	98	149*
SKg 56-2B	9j6	20	3h9	10,2	100	80j6	120	8	3	7	98	196
SKg 56-4B	9j6	20	3h9	10,2	100	80j6	120	8	3	7	98	157*
SKg 56-6B	9j6	20	3h9	10,2	100	80j6	120	8	3	7	98	196
SKg 63- .A	11j6	23	4h9	12,5	115	95j6	140	9	3	10	102	202
SKg 63- .B	11j6	23	4h9	12,5	115	95j6	140	9	3	10	102	214
SKh 71- .A	14j6	30	5h9	16	130	110j6	160	9	3,5	10	111	223
SKh 71- .B	14j6	30	5h9	16	130	110j6	160	9	3,5	10	111	245
SKh 80- .A	19j6	40	6h9	21,5	165	130j6	200	10	3,5	12	115	266
SKh 80- .B	19j6	40	6h9	21,5	165	130j6	200	10	3,5	12	115	278
SKh 90S ...	24j6	50	8h9	27	165	130j6	200	8	3,5	12	130	305
SKh 90L ...	24j6	50	8h9	27	165	130j6	200	8	3,5	12	130	330
SKg 100L ...	28j6	60	8h9	31	215	180j6	250	11	4	15	140	376
SKg 112M ...	28j6	60	8h9	31	215	180j6	250	12	4	15	164	384
SKg 132S ...	38k6	80	10h9	41	265	230j6	300	12	4	15	178	463
SKg 132S-2B	38k6	80	10h9	41	265	230j6	300	12	4	15	178	501
SKg 132M ...	38k6	80	10h9	41	265	230j6	300	12	4	15	178	501
SKg 160M ...	42k6	110	12h9	45	300	250j6	350	13	5	19	210	612
SKg 160L ...	42k6	110	12h9	45	300	250j6	350	13	5	19	210	656
SKg 180M ...	48k6	110	14h9	51,5	300	250j6	350	13	5	19	228	705
SKg 180L ...	48k6	110	14h9	51,5	300	250j6	350	13	5	19	228	705

* - the SKg 56-4A and 4B in their standard version have neither fan nor fan cover.

FLANGE MOUNTED MOTORS - IM B5, IM V1

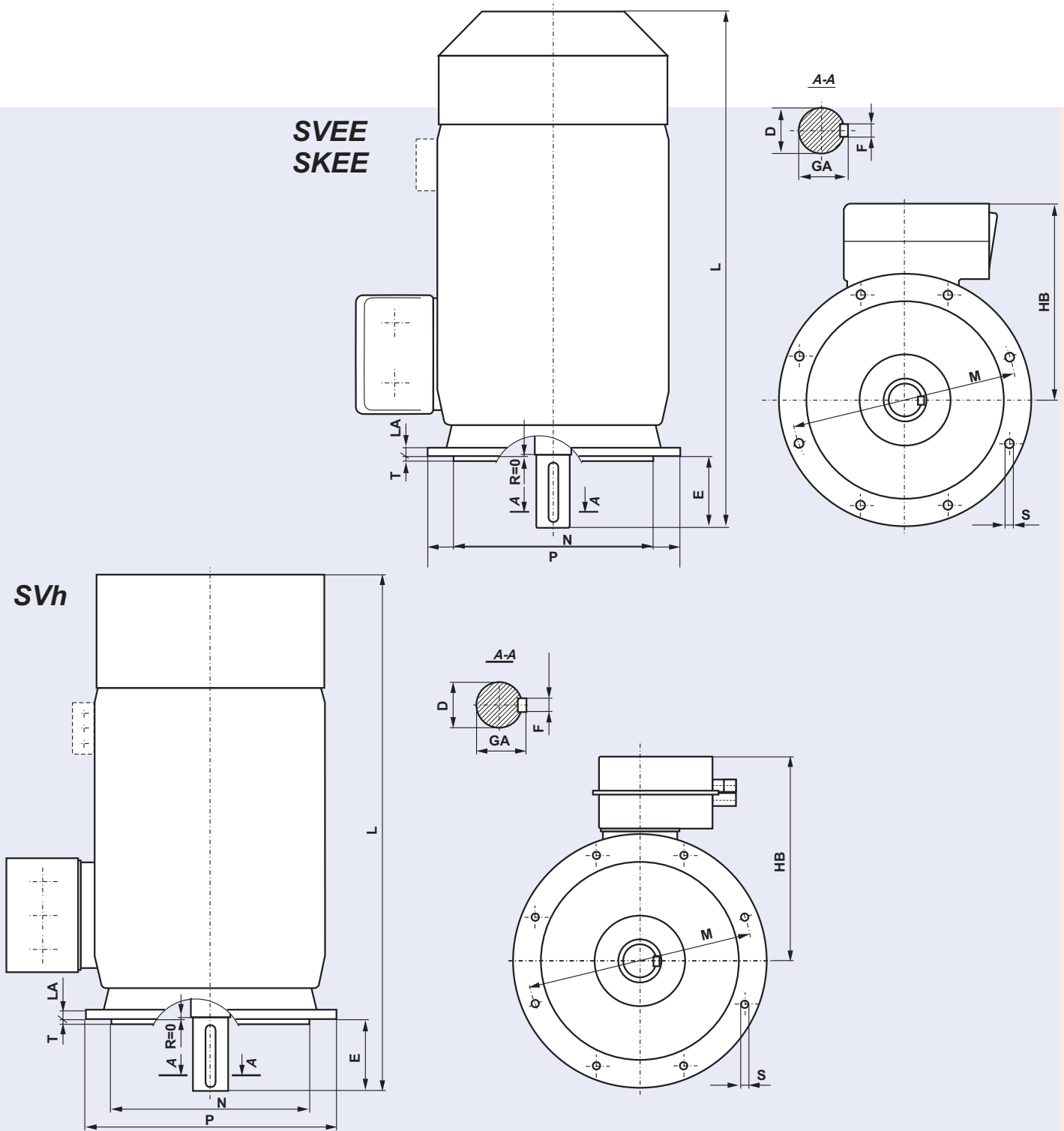


DIMENSION DRAWINGS

Motor type	D	E	F	GA	AC	AD	HB	L	LA	M	N	P	T	S	
SKg 200 L2+12	55m6	110	16h9	59,0	450	355	570	810	16,5	350	300j6	400	5	18	4
SKg 225 S4+12	60m6	140	18h9	64,0	505	375	620	860	18,0	400	350j6	450	5	18	8
SKg 225 M2	55m6	110	16h9	59,0	505	375	620	855	18,0	400	350j6	450	5	18	8
SKg 225 M4+12	60m6	140	18h9	64,0	505	375	620	885	18,0	400	350j6	450	5	18	8
SKg 250 M2	60m6	140	18h9	64,0	540	415	675	980	19,0	500	450j6	550	5	18	8
SKg 250 M4+12	65m6	140	18h9	69,0	540	415	675	980	19,0	500	450j6	550	5	18	8
SKg 280 S2	65m6	140	18h9	69,0	620	450	755	1040	20,0	500	450j6	550	5	18	8
SKg 280 S4+12	75m6	140	20h9	79,5	620	450	755	1040	20,0	500	450j6	550	5	18	8
SKg 280 M2	65m6	140	18h9	69,0	620	450	755	1040	20,0	500	450j6	550	5	18	8
SKg 280 M4+12	75m6	140	20h9	79,5	620	450	755	1040	20,0	500	450j6	550	5	18	8
SKg 315 S2	65m6	140	18h9	69,0	620	450	790	1180	22,0	600	550j6	660	6	22	8
SKg 315 S4+12	80m6	170	22h9	85,0	620	450	790	1210	22,0	600	550j6	660	6	22	8
SKg 315 M2	65m6	140	18h9	69,0	620	450	790	1180	22,0	600	550j6	660	6	22	8
SKg 315 M4+12	80m6	170	22h9	85,0	620	450	790	1210	22,0	600	550j6	660	6	22	8
SVg 315 M6+8C *	80m6	170	22h9	85,0	693	551	877	1355	22,0	600	550js6	660	6	22	8
SVg 355 S4+12 *	100m6	210	28h9	106,0	767	588	970	1580	24,0	740	680js6	800	6	24	8
SVg 355 M10+12 *	100m6	210	28h9	106,0	767	588	970	1580	24,0	740	680js6	800	6	24	8

* - the SVg motors may operate only in vertical position IM V1

FLANGE MOUNTED MOTORS - IM B5, IM V1

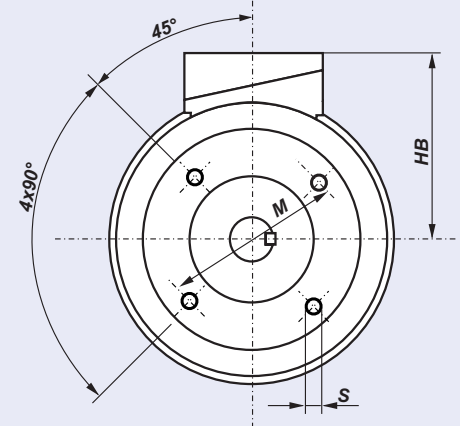
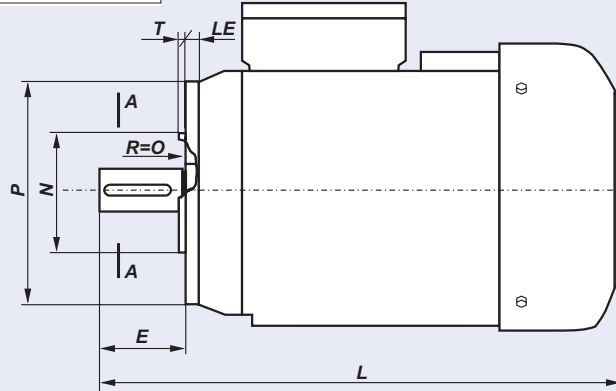
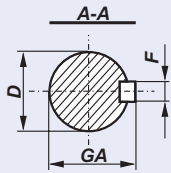


DIMENSION DRAWINGS

Type	Poles	D	E	F	GA	HB	L	LA	M	N	P	S	T
SKEE 315M..	2	65	140	18	69	490	1225	22	600	550	660	24	6
SKEE 315M..	4÷8	80	170	22	85	490	1255	22	600	550	660	24	6
SVEE 355...*	4÷8	100	210	28	106	580	1620	24	740	680	800	22	6
SVh 355...s*	4÷8	100	210	28	106	640	1955	24	740	680	800	22	6
SVh 400...s*	4÷8	110	210	28	116	695	2016	30	940	880	1000	25	6
SVh 450...s*	4÷10	110	210	28	116	745	2160	30	1080	1000	1150	28	6
SVh 500...s*	4÷10	120	210	32	127	795	2505	30	1080	1000	1150	28	6

* - the SVEE and SVh motors can work in IM V1 only.

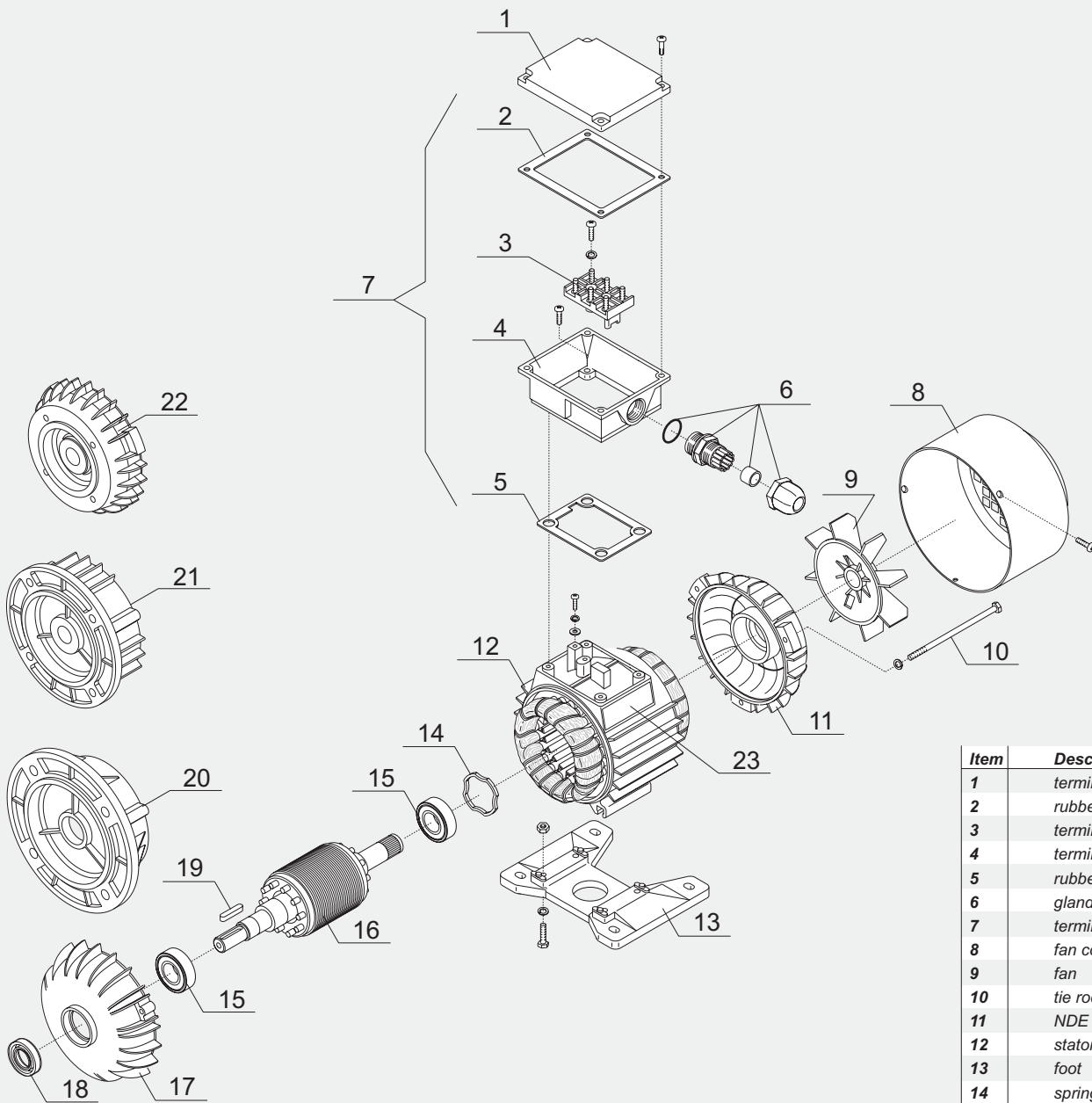
FLANGE MOUNTED MOTORS - IM B14



DIMENSION DRAWINGS

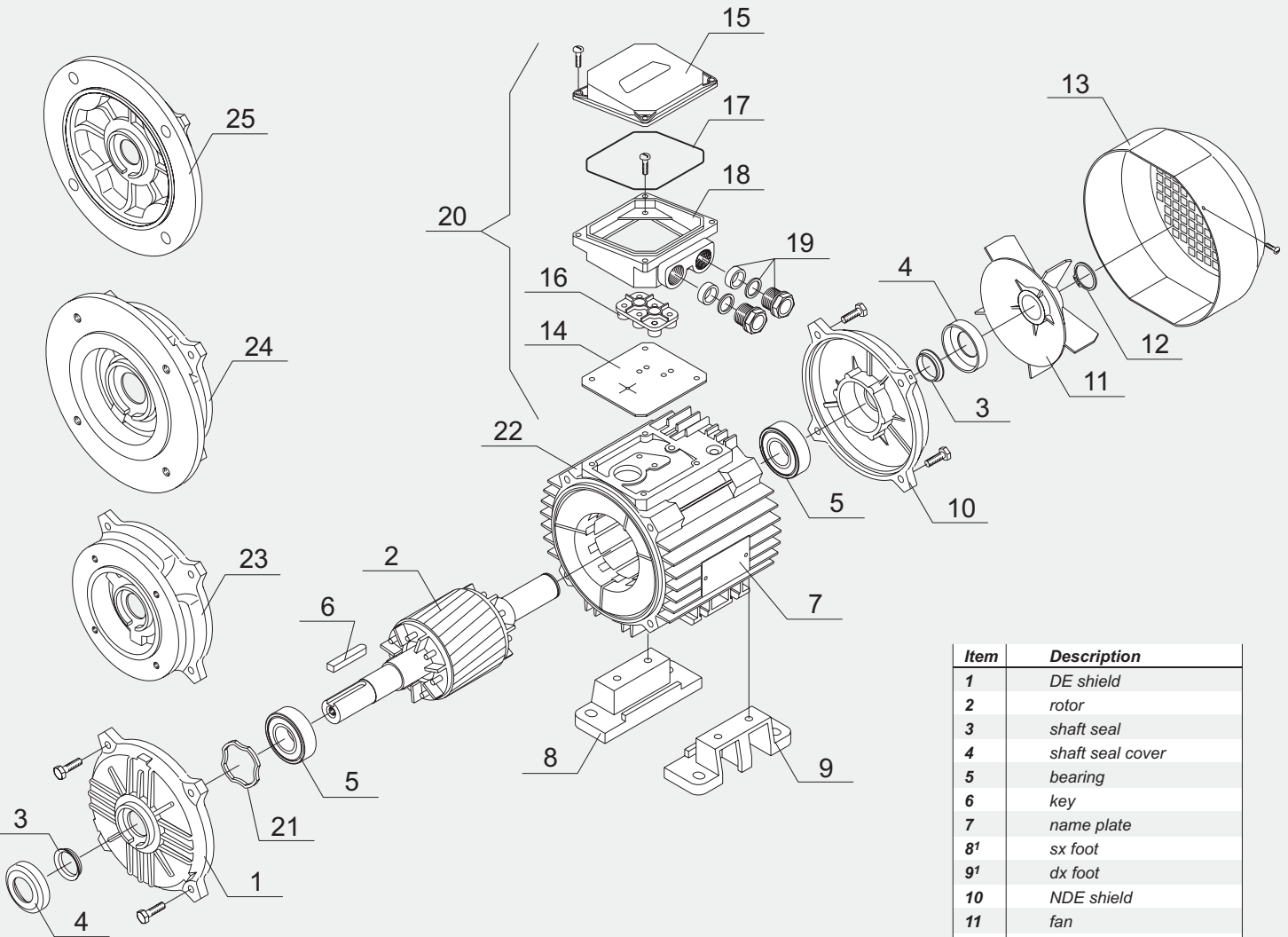
Motor type	Flange	D	E	F	GA	M	N	P	S	T	LE	HB	L
SKg 56-2A1	B14/C1	9j6	20	3h9	10,2	85	70j6	105	M6	2,5	15	98	188
SKg 56-2A2	B14/C2	9j6	20	3h9	10,2	65	50j6	80	M5	2,5	12,5	98	188
SKg 56-4A1	B14/C1	9j6	20	3h9	10,2	85	70j6	105	M6	2,5	15	98	149*
SKg 56-4A2	B14/C2	9j6	20	3h9	10,2	65	50j6	80	M5	2,5	12,5	98	149*
SKg 56-2B1	B14/C1	9j6	20	3h9	10,2	85	70j6	105	M6	2,5	15	98	196
SKg 56-2B2	B14/C2	9j6	20	3h9	10,2	65	50j6	80	M5	2,5	12,5	98	196
SKg 56-4B1	B14/C1	9j6	20	3h9	10,2	85	70j6	105	M6	2,5	15	98	157*
SKg 56-4B2	B14/C2	9j6	20	3h9	10,2	65	50j6	80	M5	2,5	12,5	98	157*
SKg 56-6B1	B14/C1	9j6	20	3h9	10,2	85	70j6	105	M6	2,5	15	98	196
SKg 56-6B2	B14/C2	9j6	20	3h9	10,2	65	50j6	80	M5	2,5	12,5	98	196
SKg 63-.A1	B14/C1	11j6	23	4h9	12,5	100	80j6	120	M6	3	14	102	202
SKg 63-.A2	B14/C2	11j6	23	4h9	12,5	75	60j6	90	M5	2,5	9,5	102	202
SKg 63-.B1	B14/C1	11j6	23	4h9	12,5	100	80j6	120	M6	3	14	102	214
SKg 63-.B2	B14/C2	11j6	23	4h9	12,5	75	60j6	90	M5	2,5	9,5	102	214
SKh 71-.A1	B14/C1	14j6	30	5h9	16	115	95j6	140	M8	3	14	111	223
SKh 71-.A2	B14/C2	14j6	30	5h9	16	85	70j6	105	M6	2,5	12	111	223
SKh 71-.B1	B14/C1	14j6	30	5h9	16	115	95j6	140	M8	3	14	111	245
SKh 71-.B2	B14/C2	14j6	30	5h9	16	85	70j6	105	M6	2,5	12	111	245
SKh 80-.A1	B14/C1	19j6	40	6h9	21,5	130	110j6	160	M8	3,5	14	115	266
SKh 80-.A2	B14/C2	19j6	40	6h9	21,5	100	80j6	120	M6	3	12	115	266
SKh 80-.B1	B14/C1	19j6	40	6h9	21,5	130	110j6	160	M8	3,5	14	115	278
SKh 80-.B2	B14/C2	19j6	40	6h9	21,5	100	80j6	120	M6	3	12	115	278
SKh 90S ...	B14/C1	24j6	50	8h9	27,0	130	110j6	160	M8	3,5	10	130	305
SKh 90S ...	B14/C2	24j6	50	8h9	27,0	115	95j6	140	M8	3	10	130	305
SKh 90L ...	B14/C1	24j6	50	8h9	27,0	130	110j6	160	M8	3,5	10	130	330
SKh 90L ...	B14/C2	24j6	50	8h9	27,0	115	95j6	140	M8	3	10	130	330
SKg 100L ...	B14/C1	28j6	60	8h9	31,0	165	130j6	200	M10	3,5	12	140	376
SKg 100L ...	B14/C2	28j6	60	8h9	31,0	130	110j6	160	M8	3,5	12	140	376
SKg 112M ...	B14/C1	28j6	60	8h9	31,0	165	130j6	200	M10	3,5	12	164	384
SKg 112M ...	B14/C2	28j6	60	8h9	31,0	130	110j6	160	M8	3,5	12	164	384
SKg 132S ...	B14/C1	38k6	80	10h9	41,0	215	180j6	250	M12	4,0	12	178	463
SKg 132S ...	B14/C2	38k6	80	10h9	41,0	165	130j6	200	M12	3,5	12	178	463
SKg 132S-2B	B14/C1	38k6	80	10h9	41,0	215	180j6	250	M12	4,0	12	178	501
SKg 132S-2B	B14/C2	38k6	80	10h9	41,0	165	130j6	200	M12	3,5	12	178	501
SKg 132M ...	B14/C1	38k6	80	10h9	41,0	215	180j6	250	M12	4,0	12	178	501
SKg 132M ...	B14/C2	38k6	80	10h9	41,0	165	130j6	200	M12	3,5	12	178	501

*- the SKg 56-4A and 4B motors in their standard version have neither fan nor fan cover



Item	Description
1	terminal box cover
2	rubber gasket
3	terminal board
4	terminal box
5	rubber gasket
6	gland
7	terminal box complete
8	fan cover
9	fan
10	tie rod
11	NDE shield
12	stator
13	foot
14	spring washer
15	bearing
16	rotor
17	DE shield
18	shaft seal
19	key
20	flange B5
21	flange B14/C1
22	flange B14/C2
23	name plate

LIST OF MOTOR PARTS

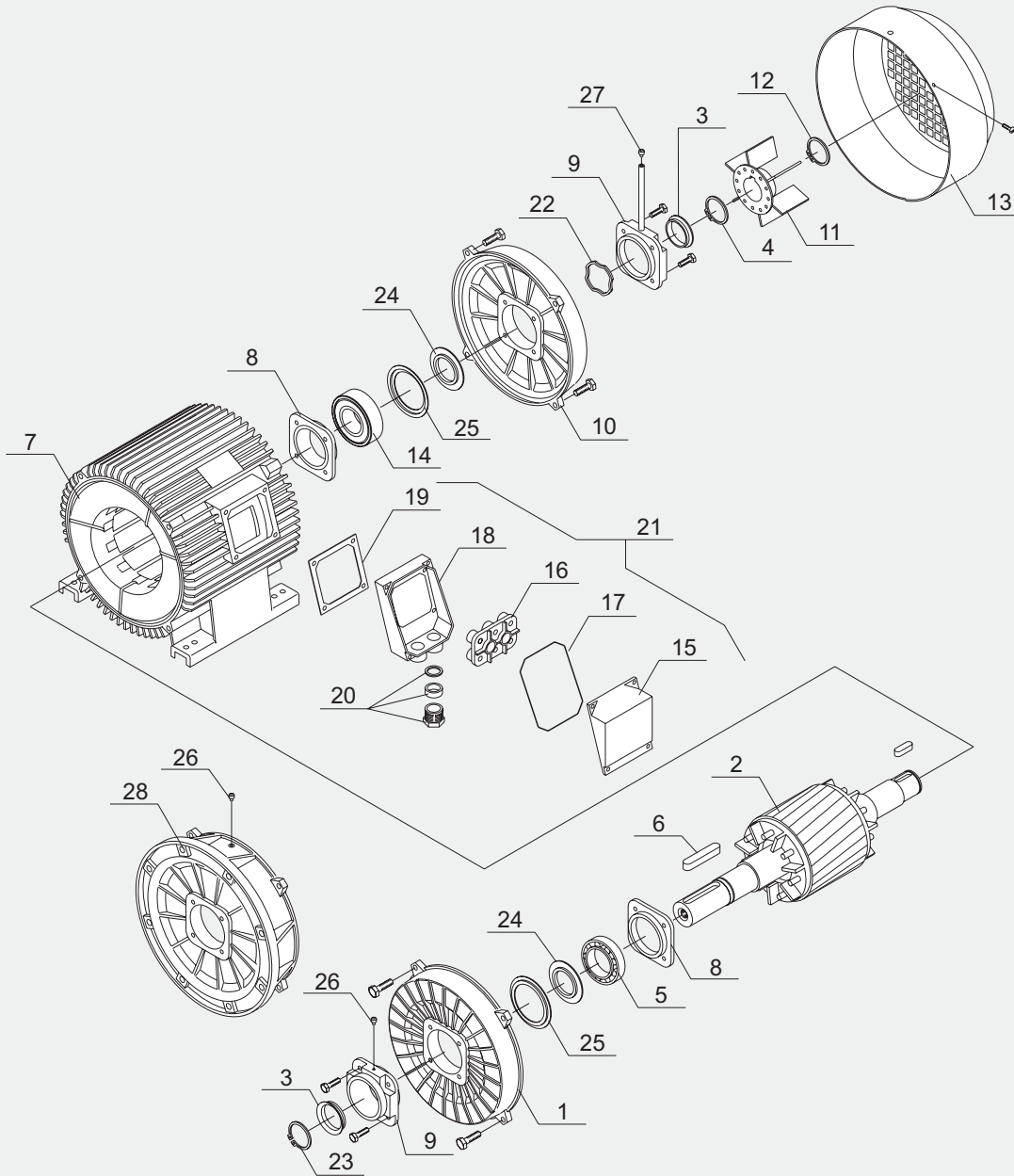


Item	Description
1	DE shield
2	rotor
3	shaft seal
4	shaft seal cover
5	bearing
6	key
7	name plate
8 ¹	sx foot
9 ¹	dx foot
10	NDE shield
11	fan
12	seeger ring
13	fan cover
14	rubber gasket
15	terminal box cover
16	terminal board
17	rubber gasket
18	terminal box
19	glands
20	terminal box complete
21	spring washer
22	stator
23 ²	flange B14/C2
24 ²	flange B14/C1
25	flange B5

1 - for frame size 132 feet can be screwed or integrated with the motor housing, for frame size 160 -180 feet are integrated with the motor housing.

2 - only for frame size 90 - 132.

Frame size: 200÷355
except Sh and SEE motors



Item	Description
1	DE shield
2	rotor
3	shaft seal
4 ¹	seeger ring
5	DE bearing
6	key
7	stator with foot
8	internal bearing cap
9	external bearing cap
10	NDE shield
11	fan
12	seeger ring
13	fan cover
14	NDE bearing
15	terminal box cover
16	terminal board
17	rubber gasket
18	terminal box
19	rubber gasket
20	glands
21	terminal box complete
22	spring washer
23	seeger ring
24 ²	grease shield
25 ²	bearing internal ring
26	DE lubricator
27	NDE lubricator
28	flange B5

¹ - only for frame size 200,225,355

² - only for frame size 280-315

PRODUCTION PROGRAM

OUTPUT RANGE [kW]

GENERAL PURPOSE 3-PHASE INDUCTION MOTORS 0,04 - 1400

GENERAL PURPOSE 1-PHASE INDUCTION MOTORS 0,04 - 2,2

HIGH VOLTAGE INDUCTION MOTORS

Totally enclosed motors IP55 160 - 3150

Totally enclosed motors for power engineering IP55 200 - 2000

Open drip proof motors IP23 200 - 1250

MOTORS WITH ENLARGED RATED OUTPUT 0,12 - 200

MOTORS WITH FOREIGN COOLING

Motors with foreign cooling IP54 (IP55) 0,09 - 1400

Motors with foreign cooling IP20 0,09 - 2,2

3-PHASE INDUCTION MOTORS FOR PUMPS

Standard motors for pumps 0,37 - 90

Explosion-proof motors for pumps 11 - 45

Explosion-proof marine motors for pumps 10 - 50

MOTORS TO BE BUILT-IN

1-phase motors to be built-in 0,06 - 1,5

3-phase motors to be built-in 0,09 - 160

BRAKE MOTORS

Brake motors (with DC brake) 0,09 - 160

Brake motors (with AC brake) 3 - 11

EXPLOSION-PROOF MOTORS

Increased safety motors 0,09 - 22

Flame-proof motors 11 - 250

Flame-proof marine motors 10 - 99

Special purpose flame-proof motors for mining 4,5 - 170

Special purpose flame-proof motors for chemical industry 5,5 - 45

Special purpose flame-proof marine motors 10 - 50

High voltage flame-proof motors 200 - 1400

MOTORS FOR AXIAL-FLOW FANS

1-phase motors for axial-flow fans 0,18 - 0,75

3-phase motors for axial-flow fans 0,2 - 1,1

3-phase motors for axial-flow mining fans 11 - 55

3-phase explosion-proof motors for air duct axial-flow fans 7,5 - 90

3-phase marine motors for axial-flow fans 0,75 - 25,3

3-phase explosion-proof marine motors for axial-flow fans 10 - 18,5

3-phase multi-speed motors for axial-flow fans 0,18 - 0,75

3-phase multi-speed motors for air duct axial-flow fans 10 - 40

PRODUCTION PROGRAM

OUTPUT RANGE [kW]

MULTI-SPEED MOTORS

General purpose 2-speed motors	0,07 - 250
General purpose multi-speed motors	0,12 - 60

MARINE MOTORS

General purpose marine motors	0,06 - 350
Marine motors for pumps	22 - 99
Marine motors for axial-flow fans	5,5 - 25
Marine motors for boat davits	9 - 30
Marine motors for tubular rudders	200 - 2000
General purpose explosion-proof marine motors	3,5 - 99
Explosion-proof marine motors for pumps	10 - 50
Explosion-proof marine motors for axial-flow fans	10 - 18,5

WOUND ROTOR INDUCTION MOTORS

Totally enclosed (IP 54, 55) wound rotor induction motors	18,5 - 315
Open drip proof (IP 23) wound rotor induction motors	55 - 315

CRANE MOTORS

Squirrel cage crane motors	2,2 - 15
Wound rotor crane motors	0,8 - 185
Two-speed crane motors with brake	0,28 - 13

SPECIAL PURPOSE INDUCTION MOTORS

Motors with 0/Y/Δ switch	5,5 - 7,5
Motors with increased slip	3,0 - 22
Roller table motors for iron and steel industry	1,1 - 7,5
1-phase motors with shaft height 65 mm	0,75 - 2,0
3-phase motors with shaft height 65 mm	0,75 - 2,0

HIGH EFFICIENCY SEE MOTORS

0,55 - 315

MOTORS ACCORDING TO NEMA AND CSA STANDARDS

0,8 - 500 [HP]

ACCESSORIES

DC electromagnetic disc brakes	braking torque	4 - 800 [Nm]
AC electromagnetic disc brakes	braking torque	4 - 300 [Nm]
Powder brakes and clutches	torque	6 - 170 [Nm]
Thrustors	force of piston rod	500 - 3200 [N]